

MATERIALS HANDLING

SKATE WEIGHTS

Weight Skate XL

Flints is synonymous with Stage Weights but we haven't ever stocked anything to help you move them around... until now! The Weight Skate is designed to carry up to 24 stage weights with a welded steel frame that weights neatly stack into. Think of this like a very fancy and much safer dolly. The frame extends on two sides for you to have a two handed grip whilst manoeuvring. Great for moving weights around but also a compact weight storage frame with heavy duty braking castors and a black finish, so can be discretely stowed away backstage. The Weight Skate can also be customised with your own logo if you wish, please get in touch with us for a quote!

Specification: Dimensions: 53cm (W) x 52cm (H) x 54cm (D)



code	description	width	height	depth	price
FHS023WSXL	Weight Skate XL	53cm	52cm	54cm	£400.00
FHS023WSXLK	Weight Skate XL + 20 Stage Weights	53cm	52cm	54cm	£995.00

PANEL CARRIERS

Panel Carrier – The Original

Transforms lifting heavy panels into an effortless task due to a clever ergonomic design. The cams quickly [and gently] lock onto any panel up to 65 mm thick at a comfortable handling height. This prevents having to bend down to get your fingers under heavy panels and saves your back from undue strain. The comfy handgrip protects your hands from sharp edges and splinters. This particular design can also grip the top of narrow panels which panel lifters, with a single central leg, are unable to do.

Supplied in a box with: two handles. Red rubber handle.

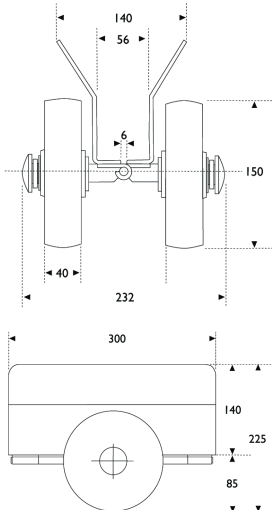


code	description	load limit	takes panels up to	price
TOLZKH01	Per pair	75kg	65mm	£128.45

PLATE SKATES

Plate Skates

These useful devices will grip panels up to 56 mm thick and take loads of 250 kg on their strong 150 mm Ø wheels. Ideal for moving heavy flattage or sheets of ply from lorries or around stage. Just use one in the centre of the panel and the crew can manoeuvre heavy items with ease.



code	capacity	takes panels up to	overall height	wheel Ø	max load	price
CASPS15056	250kg	56mm	225mm	150mm	250kg	£60.90

RATCHET STRAPS

Rubberised Handle Ratchet Straps

Very well made 8 m ratchet straps with a comfortable easy to use handle mechanism. We like them.

Breaking strain: 25 mm = 1.5 tonnes, 50 mm = 5 tonnes.



25mm width has these handles



50mm width has these handles



code	End Fittings	length	width	price	10+
RS25RE	Endless	8m	25mm	£7.78	£6.95
RS25RC	Claw Hooks	8m	25mm	£7.58	£6.90
RS25RD	Delta	8m	25mm	£7.58	£6.90
RS50RE	Endless	8m	50mm	£14.55	£13.10
RS50RC	Claw Hooks	8m	50mm	£15.41	£13.87
RS50RD	Delta	8m	50mm	£15.41	£13.55

Tie Off Webbing

Soft and flexible, this webbing is ideal for securing scenery in trucks when ratchet straps are not suitable. Made from 1 mm thick white polyester. For other Polyester Webbing see page 227. For Roping Eyes see page 271.



code	width	min bl	per m	100 m+
ROPBW	25mm	1300kg	£1.59	£1.43

ROLLER CROW BAR

Roller Crowbar

Essential equipment for fitting-up heavy steel scenery and trucks whilst aligning bolts or servicing castors. Now fitted with 75 mm diameter steel rollers. For other Crowbars see page 326.

SPECIFICATION: Handle length: 2 m. Load capacity: 1.5 tonnes.

Max skate height: 145 mm. Weight: 13 kg.



code	WLL	price
CAS800	1.5t	£163.90

Low Plate Roller Crowbar

This model has a heavy-duty fabricated flat plate giving it a low profile, enabling it to get right under heavy scenery with little ground clearance. Fitted with 70 mm diameter steel rollers.

SPECIFICATION: Handle length: 1.5 m. Load capacity: 5 tonnes.

Weight: 11 kg.



code	WLL	price
CASV4402	5t	£116.58

SACK TRUCKS

Heavy-Duty Folding Sack Trucks

A versatile sack truck which is strong and robust. Fully welded tubular steel, epoxy coated. The toe folds up for easy storage.

Max load: 200 kg. Dims: 960 mm high x 500 mm wide. Foot size: 310 x 330 mm deep. Wheels: 200 x 50 mm. Weight: 10 kg.



code	price
TS182H	£192.00

Stair Climbing Trolley

The foot folds up allowing it to be stored or carried in the boot of a car. We recommend the use of a ratchet strap when shifting items like driers or washing machines.

Max load: 150 kg [50 kg on stairs]. Foot iron size: 355 x 395 mm deep. Wheels: 160 mm x 40 mm rubber tyre plain bearing wheels. Weight: 20 kg.



code	price
TS160Y	£159.95

Compact Folding Trolley

This is a useful and well made compact trolley for transporting loads of up to 50 kg. The wheels automatically fold flat for slim storage. It comes with a 1,060 mm bungee cord to help secure goods.

SPECIFICATION: Max load: 50 kg. Dims [when folded]: 670 x 336 x 100 mm. Wheels: 100 mm Ø. Weight: 2.75 kg.



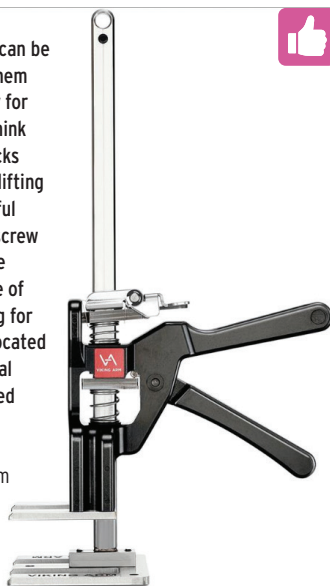
code	price
SAFFT8	£44.75

VIKING ARM

Viking Arm

This reversible squeeze trigger clamp that can be used to pry things apart or forcibly bring them together. Used in the construction industry for the installation of windows and doors we think this ingenious tool is great for levelling decks and installing castors. Each arm has 150kg lifting capacity so if set on 4 corners it's a powerful squeeze trigger jack. To reverse simply unscrew bolt at the top of the clamp and reverse the handle. There are also 2 options for release of the clamp, full release or a gradual allowing for fine adjustment both release buttons are located at the back of the handle. This is the original Norwegian-made tool and not to be confused with cheap knock-offs.

SPECIFICATION: Made from Stainless Steel/ Hardened Carbon Steel/Aluminium. Lifts: from 7 to 215mm. Base Size: 105 x 87mm (6 mm thick plate)



code	price
TOLVM	£149.00

PLANKFORM™



Shorten the legs for a bench to sit and have a cuppa.

PlanKForm™

Alasdair Flint's brainchild, PlanKForm™, spawned from a need for trestle tables which could be stored in a small space, be transported easily, and have endless uses. Simply slot a scaffolding board of your desired length [38 mm x 225 mm] through two PlanKForm™ units and it will transform your plank into a platform. The legs are simply four scaffolding tubes of the same length. You can create anything from a low bench to a 7' frame for a swing.

- ✓ Easily fits in the boot of your car
- ✓ Extremely versatile! Use any length of scaffolding plank and tube
- ✓ The horizontal bar between the sockets is perfect for hanging items like tools or a paint kettle
- ✓ Wingnuts threaded into the sockets keep the trestle secure and stable.
- ✓ Create multiple trestles to create a supporting surface to work on.

Available as just the PlanKForm units alone, or as a kit to make a work surface as shown above measuring 900 mm high, 985 mm long, and 225 mm wide. The kit includes:

- ✓ 1 pair of basic units [1 per end]
- ✓ 4 x 900 mm size 8 Aluminium Scaff legs [complete with end caps]
- ✓ 1 x Scaff board [38 x 225 x 985 mm]

code	description	price
FHSPKF	Plankform basic units alone	£33.29
FHSPKFK	Plankform Kit - inc 4 legs + board	

TOUGH TRUCKS

Rough Terrain Turntable Truck

Multi-purpose trucks ideal for unloading flight cases and tool boxes from lorry to stage. Tubular steel surround with safe radiused corners and aluminium top. The handle springs up to vertical position when not in use. Ball bearing turntable and 250 mm Ø cushioned wheels.

SPECIFICATION: Max load: 500 kg. Platform size: 1,000 x 650 mm. Weight: 36 kg.



code	capacity	price
GP717J	500kg	£995.00